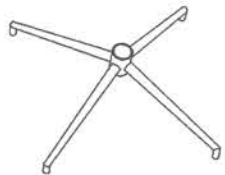



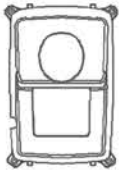
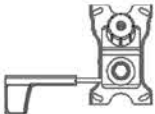
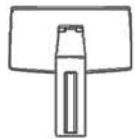
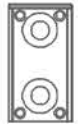

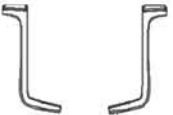







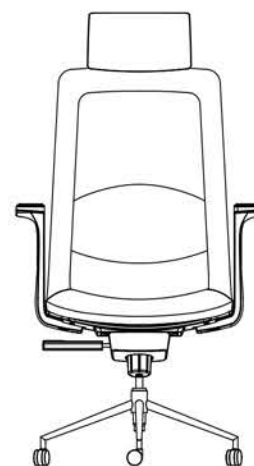
Parts list

A 	B 	C 
Base : 1pc	Gas lift : 1pc	Caster : 4pcs
D 	E 	F 
Seat cushion : 1pc	Seat base : 1pc	Mechanism : 1pc
G 	H 	I 
Headrest : 1pc	Headrest fix : 1pc	Headrest cover : 1pc
J 	K 	L 
Armrest : 1pair	Hex wrench : 1pc(M4)	Hex wrench : 1pc(M6)
M 	N 	O 
M6 Screw : 4pcs (5/16"*28.5mm)	M4 Screw : 6pcs (1/4"*44mm) Shim : 6pcs	M4 Screw(short) : 2pcs (1/4"*19mm)

Safety Instructions

Please read the Safety Instructions below carefully

- 1 . Do not overload this chair. Each chair can only bear one person's weight at maximum.
- 2 . Please use it on a flat surface.
- 3 . Children under 5 years old should NOT use the chair.
- 4 . Please do not sit on the chair arm.
- 5 . Please do not stand on a chair or use it as a ladder/ trolley.
- 6 . Please do not use sharp things to scrape it or place it close to fire.
- 7 . Please do not put your fingers in between the chair while using it.



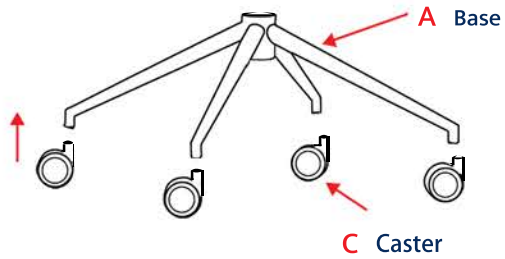
Solos Fashion Ergonomic Chair

SOLOS
SO-EC002-GY

www.solso-it.com
sales@solso-it.com

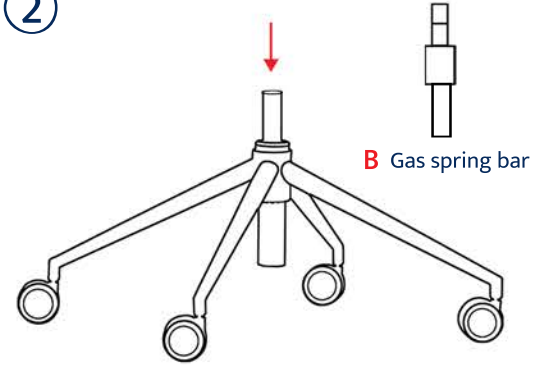
Instruction Manual

①



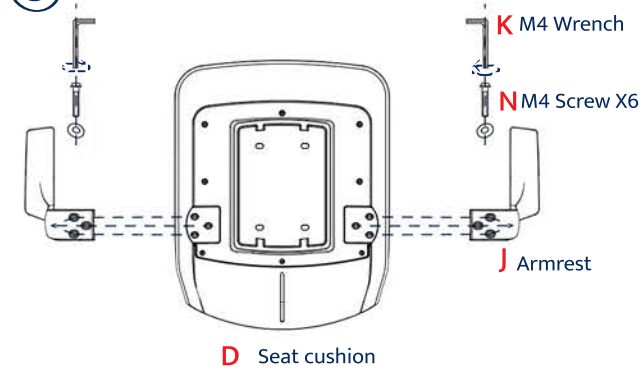
Step 1 : Put the casters into the holes at the end of each base leg.

②



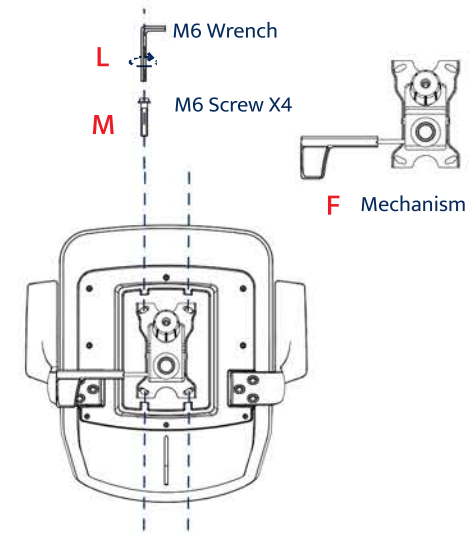
Step 2 : Insert the gas lift into the center hole of the star base

③



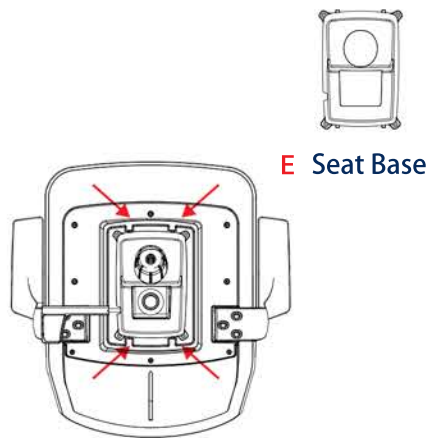
Step 3 : Screw the arms into the mechanism under the seat cushion.

④



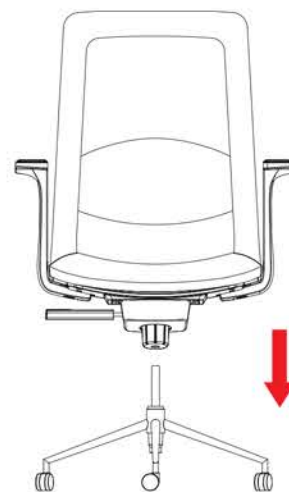
Step 4 : Insert 4 screws into the mechanism to make sure it is firm

⑤



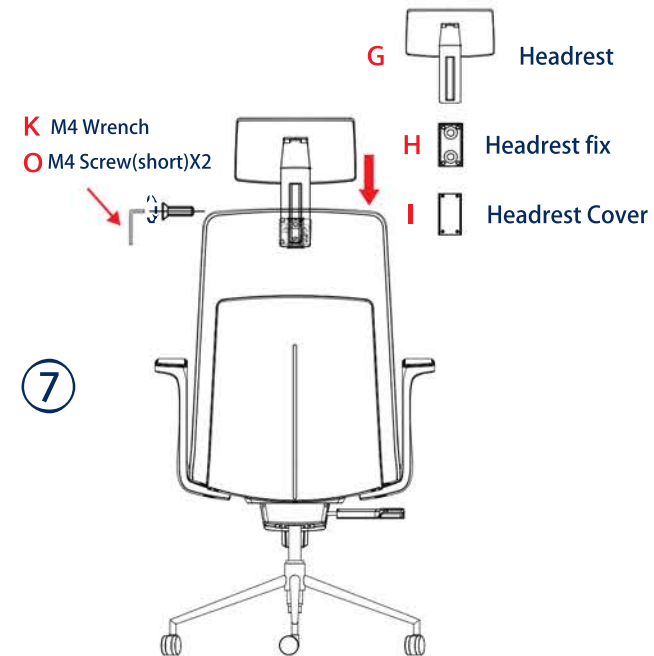
Step 5 : Put the cover on the seat plate to cover the mechanism

⑥



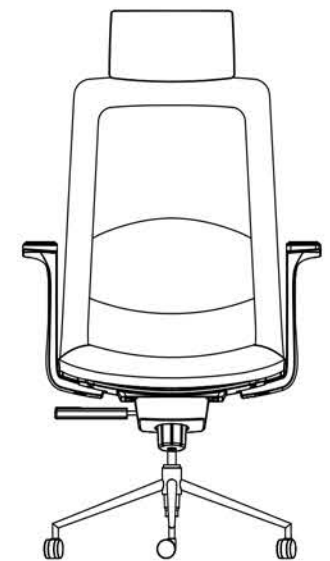
Step 6 : Attach the whole seat to the star base

⑦



Step 7 : Attach headrest with the cover to the back cushion

⑧



Finished product