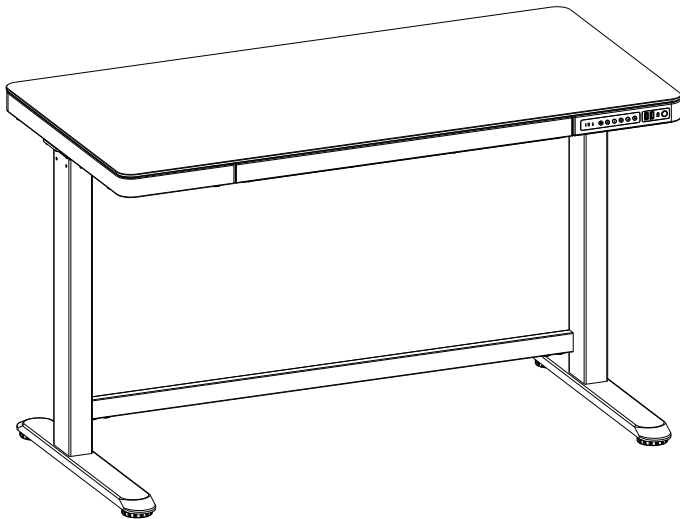


# SOLOS

## SOLOS Studio Standing Desk

SKU: SD-SStandG-BK

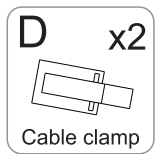
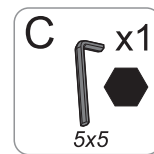
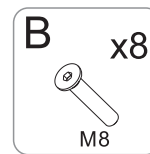
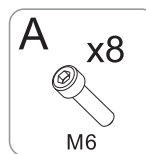
# Assembly Manual



**SOLOS Studio Standing Desk**

### Accessory list

Attention: The drawings below are for guidance only and they may differ slightly from the product and fittings received. Please contact our customer service department should you have any queries.

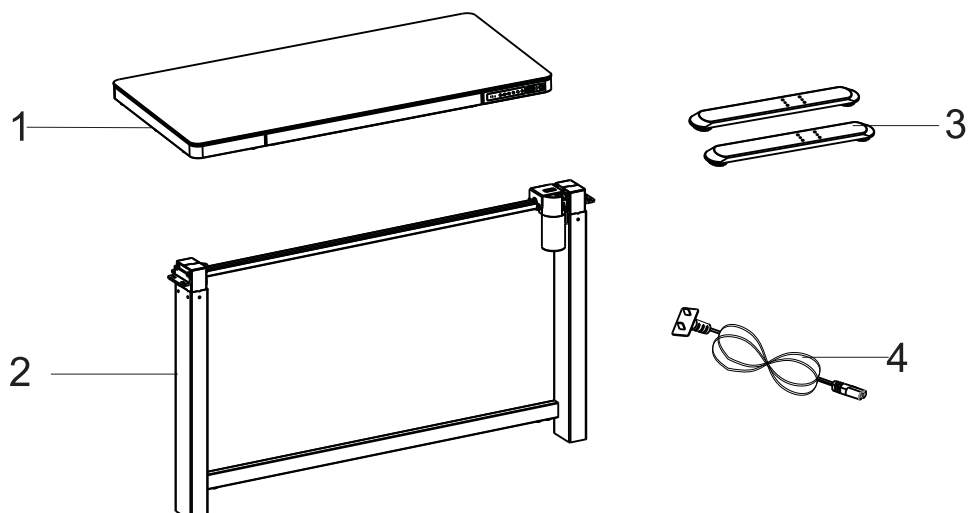


### Technical data

Max. Weight Capacity	110lbs
Height Range	28.3"-47.6"
Drawer Stroke	9.1"
Charging Ports/ Child Lock	

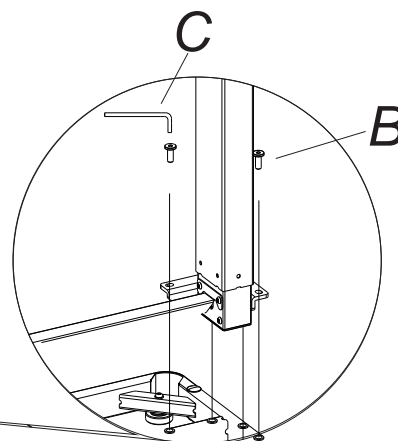
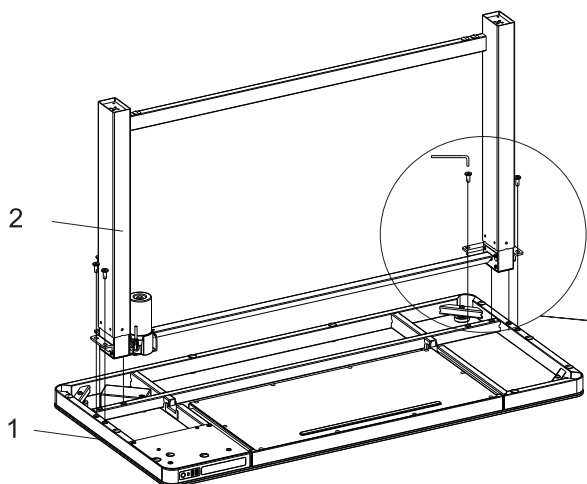
### Component list

1. Tabletop X1
2. Lifting columns X1
3. Feet X2
4. Power plug X1



## STEP 1

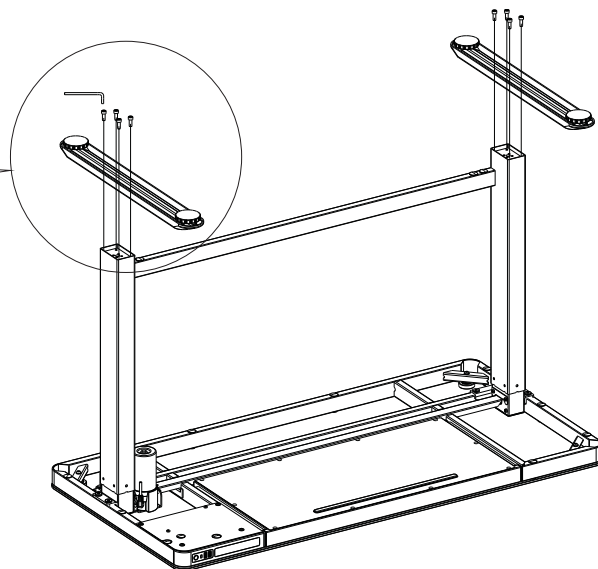
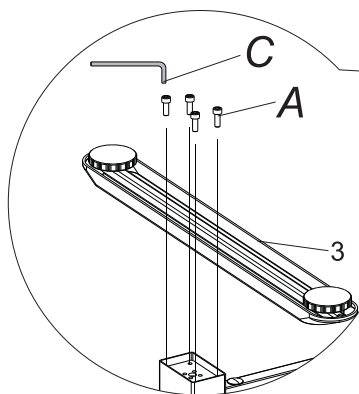
Install the tabletop and the lifting columns



Connect the tabletop (1) and the lifting columns (2) with the screw (Bx8) M8 and tighten it with hex wrench (C).  
Caution: Please do not touch the glass surface directly to the ground during installation, so as not to be scratched by sharp objects on the table; Please be careful during installation to avoid falling and breaking the glass

## STEP 2

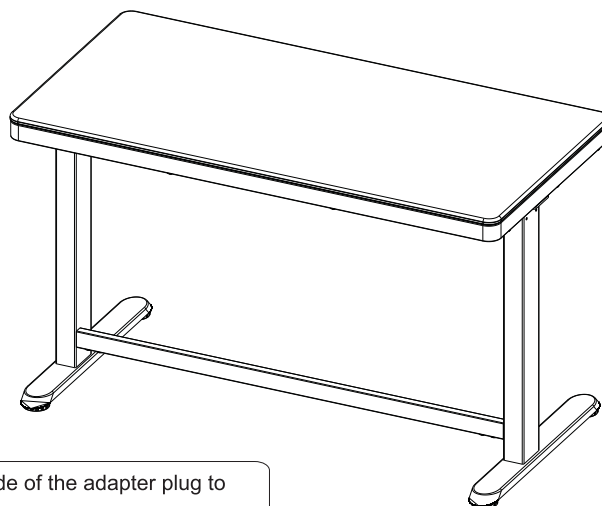
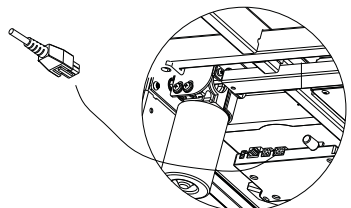
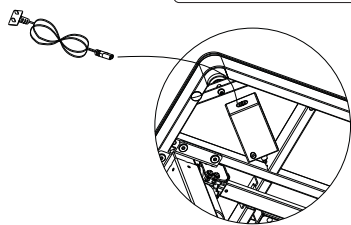
Install the feet



Install the feet (3) to the lifting columns with the screw M6 (A\*8) and tighten it with hex wrench (C).  
Caution: Please be careful during installation to avoid falling and breaking the glass; Pay attention to the directions.

## STEP 3

Install the motor and power lines



Connect the motor plug to the control box, then connect one side of the adapter plug to the power line, another side to the power line.  
Caution: the motor and power lines can be fixed by cable clamp according to actual use.