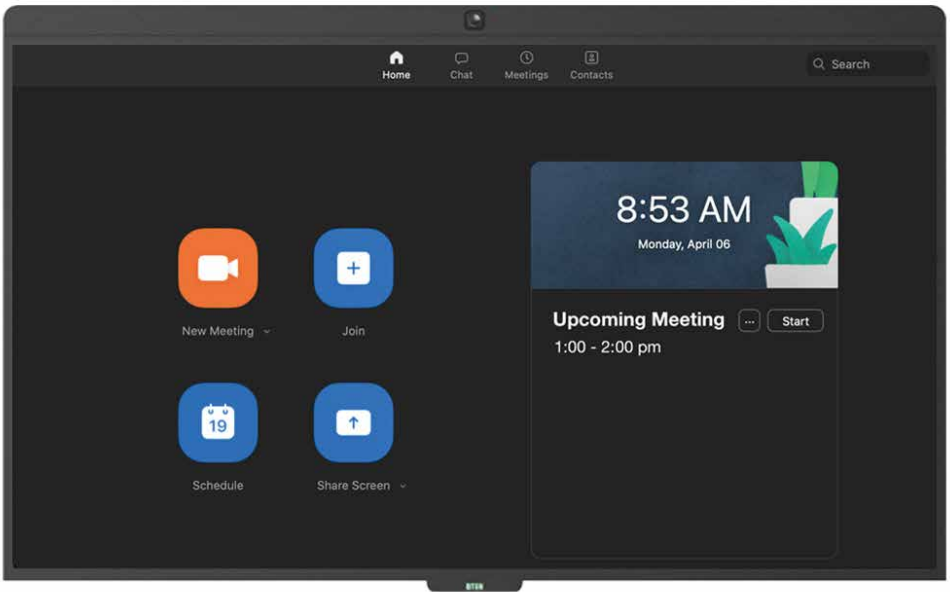


SOLOS



75" User and Installation Manual



zoomrooms

CERTIFIED HARDWARE
& Technology Partner

DTEN D7 SETUP

INTRODUCTION

IMPORTANT SAFETY INFORMATION	3
UNBOXING INSTRUCTION	4
PACKAGE CONTENTS	4
CONFERENCE ROOM SETUP	5
WALL MOUNTING	6
D7 SET UP	7
• ATTACHING AV PANEL	8
• ATTACHING ANTENNA, ETHERNET AND POWER CORD	9
• POWER UP D7	10
ZOOM ROOMS SETUP	11
PRODUCT TOXIC OR HAZARDOUS SUBSTANCES STATEMENT	12

DTEN Offers a one-year limited warranty.

For full warranty information, see our online statement available at:

[DTEN.COM](https://www.dten.com)

DTEN accepts no liability for any losses or claims resulting from misuse or incorrect installation or operation of this product, or any associated equipment.

INTRODUCTION

The DTEN D7 is a complete ZOOM Rooms TOUCH conferencing Installation, including all hardware and software. The built-in, AI enhanced, 16 element microphone array with 4K camera, offers a best-in-class conferencing, wireless, screen sharing, and white boarding experience. (All software is pre-installed.)

The ZOOM Rooms conferencing application is secure and highly adaptable, allowing remote attendees on almost any platform or hardware to fully participate. With the DTEN D7 conference room installation, attendees may also administer meetings or screen-share from any connected laptop or tablet that is on the same network (with the ZOOM Rooms App installed).

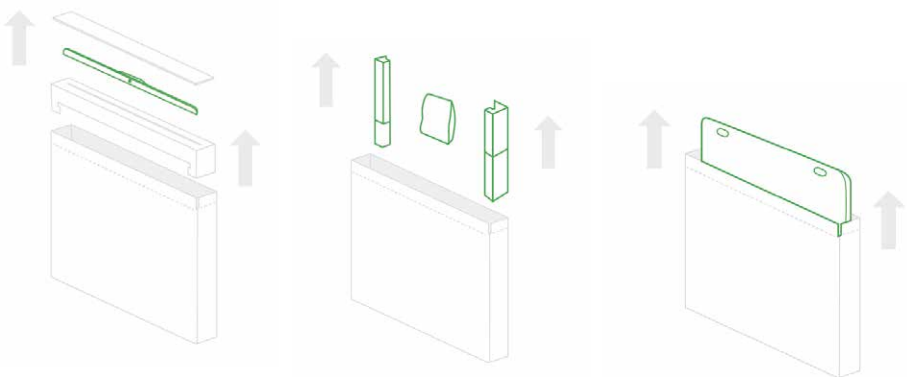
The content in this document is for reference only. Content is subject to change without notice.
For most updated information, please visit DTEN.com



IMPORTANT SAFETY INFORMATION

Read and follow the information in this manual. Failure to follow instructions, warnings or statements of "Important" information may result in damage to the equipment and/or personal injury. Keep these instructions for future reference.

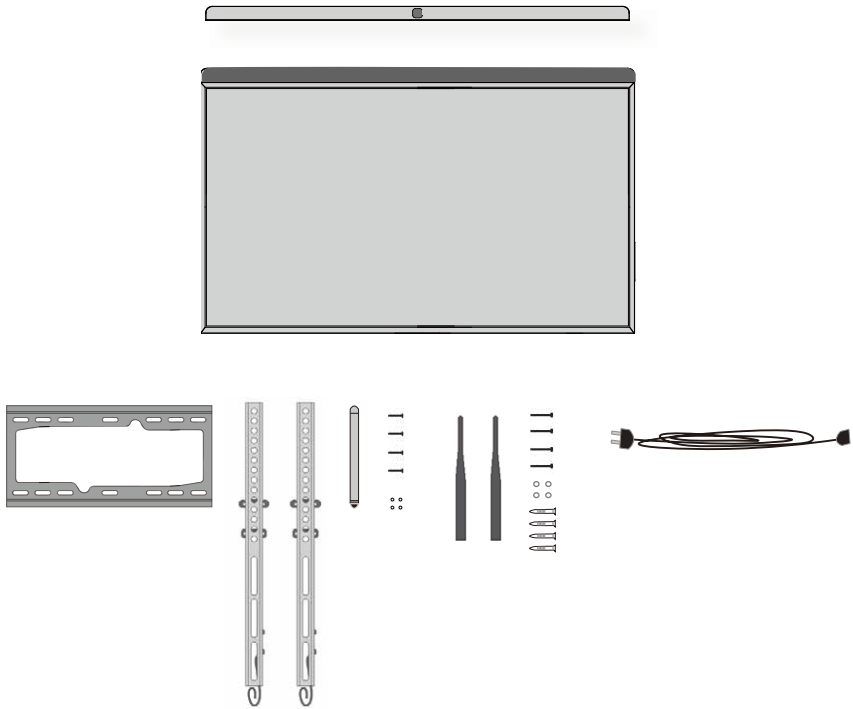
- ⚠ Verify that all connections and attachments are correct according to these instructions before connecting the power.
- ⚠ Only attach the units to walls, surfaces or other equipment that is designed and mechanically capable of supporting them.
- ⚠ Avoid placing the equipment near sources of heat or direct sunlight.
- ⚠ Keep all equipment in a dry and safe environment; avoid any contact with liquids
- ⚠ All internal repairs must be performed by qualified personnel.
- ⚠ Disconnect equipment from the power cord during long periods of non-use.
- ⚠ During cleaning, always disconnect the power; then use a soft dry or slightly damp cloth.
- ⚠ Never use damaged equipment.



Unboxing: Remove parts and packaging from the top of the box.

The content in this document is for reference only. Content is subject to change without notice.
For most updated information, please visit DTEN.com

PACKAGE CONTENTS



- DTEN D7 HD Interactive Unit
- AV Panel
- Wall Mounting Brackets
- Monitor Mounting Clips
- Wi-Fi Antenna x2
- D7 Stylus
- Power cord

The content in this document is for reference only. Content is subject to change without notice.
For most updated information, please visit DTEN.com

CONFERENCE ROOM SETUP

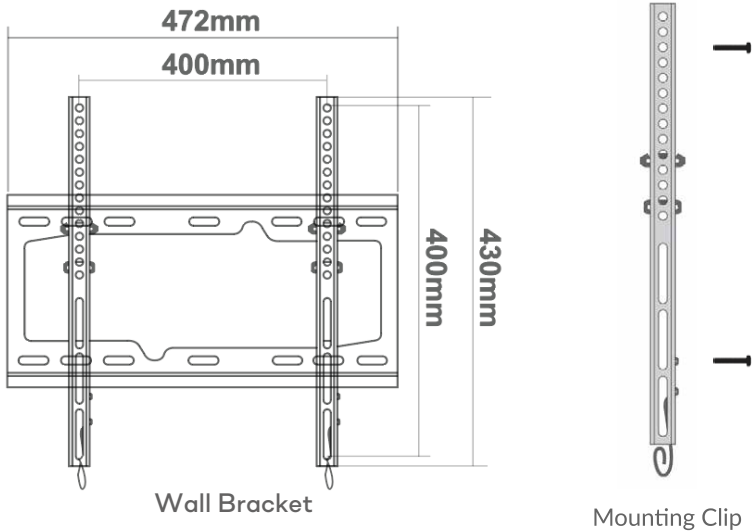
For the best experience and to fully optimize the capabilities of the hardware, follow these tips and suggestions regarding the layout and arrangement of the conference room space.

- Units should be mounted at approximately eye level when standing, in a central location, and in full view of all meeting participants.
- The space should be well lit.
- Fluorescent lighting is not recommended
- Avoid bright lights, windows, or colors in the background behind attendees
- Participants' faces should not be in shadow.
- Rooms with many hard surfaces may be acoustically "ambient". Acoustics can be improved by adding thick carpeting, sound absorbing furniture (such as bookcases), or acoustic panels/partitions.

WALL MOUNTING

DTEN D7 monitors ship with wall mounting brackets, mounting clips, plugs, and screws. The brackets should be wall mounted in an appropriate location and the clips attached to the back of the monitors as shown in the following pages

The plugs and screws supplied are intended for use on masonry surfaces. On drywall, it will be necessary to obtain cabinet grade mounting screws of an appropriate size. And in some cases, it may be necessary to use a backing board to ensure a structurally secure installation in locations where there are no conveniently placed studs or the wall surface is uneven or damaged.

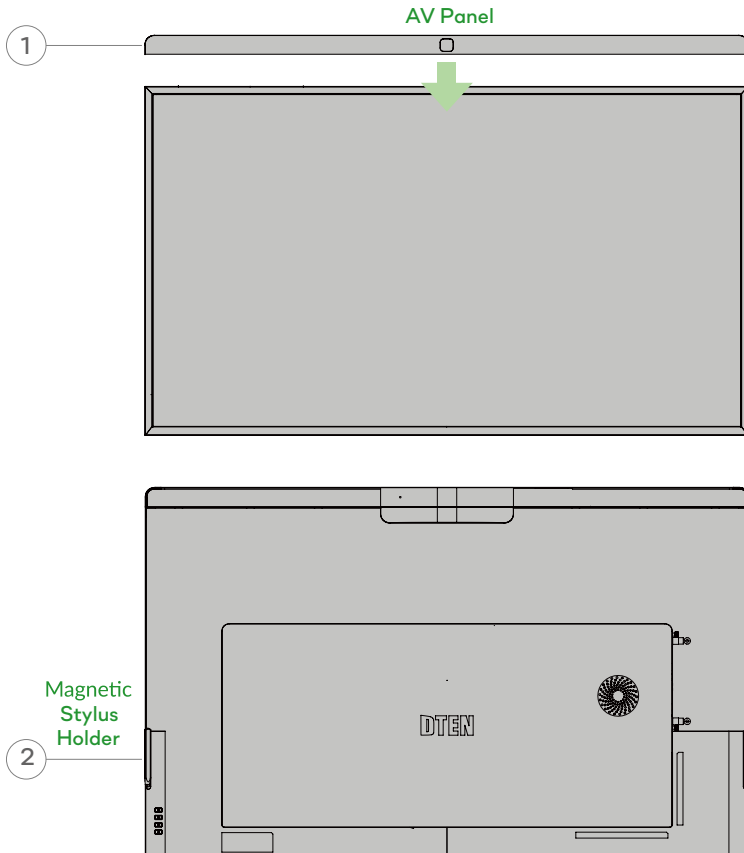


The content in this document is for reference only. Content is subject to change without notice.
For most updated information, please visit DTEN.com

ATTACHING AV PANEL

On the Display:

1. Attach the AV panel to the front(as shown).
2. The Stylus may be attached to the magnetic clip/shoe.

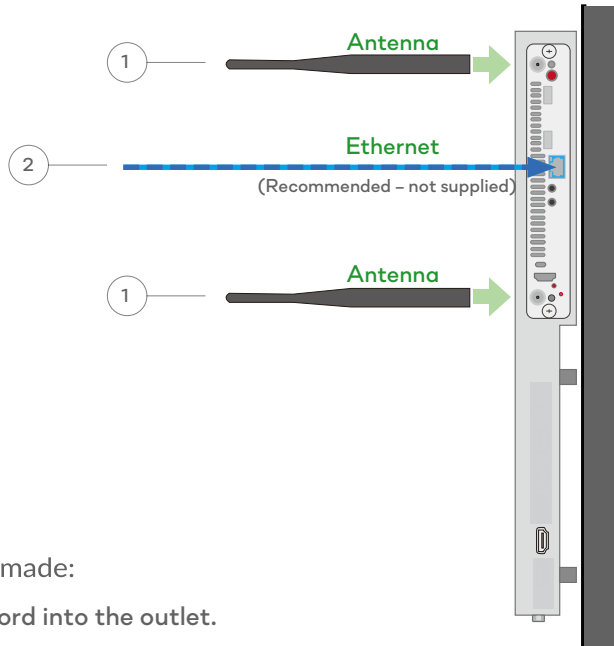


The content in this document is for reference only. Content is subject to change without notice.
For most updated information, please visit DTEN.com

ATTACHING ANTENNA, ETHERNET AND POWER CORD

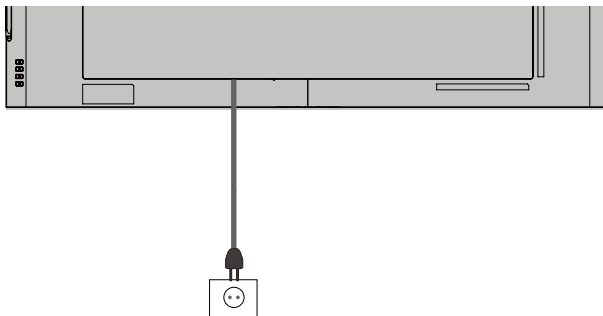
On the PC:

1. Attach the Antennae at the rear, as shown.
2. Connect an Ethernet cable connected to the local network (Recommended)



With all connections made:

1. Insert the power cord into the outlet.
2. Arrange or dress cables using ties or tape




The content in this document is for reference only. Content is subject to change without notice.
For most updated information, please visit DTEN.com

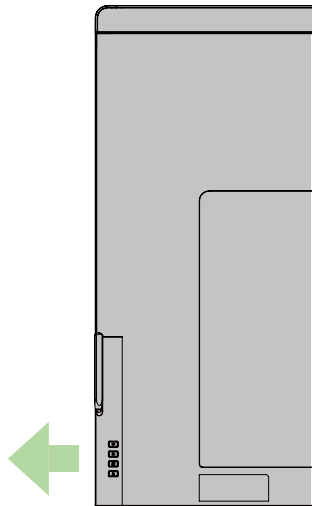
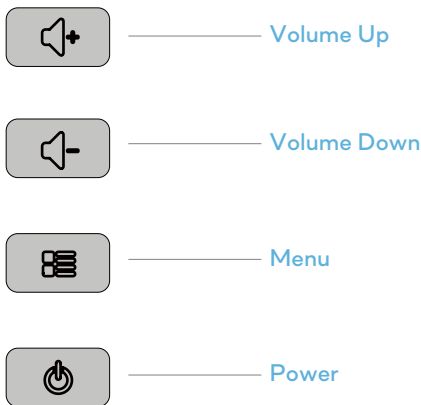
POWER UP D7

With the power connected:

- The unit will power up and ZOOM Rooms will launch.

(**Note:** In the event that the monitor does not power up, it may be necessary to press the Power button  on the rear right hand of the Display.)

Menu Buttons:



The content in this document is for reference only. Content is subject to change without notice.
For most updated information, please visit [DTEN.com](https://www.dtent.com)

ZOOM ROOMS SET UP

Prerequisite:

- **ZOOM** Rooms account. If you need to purchase **ZOOM** Rooms , visit <https://zoom.us/pricing>

Signing in to **ZOOM** Rooms

- Follow the instruction: <https://support.zoom.us/hc/en-us/articles/115003659546-signing-in-to-Zoon-Rooms>

DTEN D7 Frequently Asked Questions

- Follow more information visit: <https://support.zoom.us/hc/en-us/articles/360028757332-DTEN-D7-Frequently-Asked-Questions>

The content in this document is for reference only. Content is subject to change without notice.
For most updated information, please visit DTEN.com

PRODUCT TOXIC or HAZARDOUS SUBSTANCES STATEMENT

Toxic or Hazardous Substance	(Pb)	(Hg)	(Cd)	(Cr?)	PBB	PBDE
Displays	X	O	O	O	O	O
Housing	O	O	O	O	O	O
PBCA*	X	O	O	O	O	O
Power cords and cables	X	O	O	O	O	O
Metal parts	O	O	O	O	O	O
Packing Materials	O	O	O	O	O	O
Speaker	X	O	O	O	O	O
Accessories	O	O	O	O	O	O

This table has been prepared in accordance with SJ/T11364.

* = PCBA includes the PCB and its electronic components. Packaging materials include the carton, EPS, etc. Other accessories include the User Manual, etc.

O =The content of such toxic/hazardous substances in all homogeneous materials of such component falls within the content limited in GB/T26572-2011.

X = the content of such toxic/hazardous substances in one or more homogeneous materials of such component goes beyond the content specified in GB/T26572-2011.

The above table is prepared based on the data provided by our suppliers for each type of material and is verified by us; the product contains hazardous substances. The hazardous substances contained in some materials are irreplaceable at the current technological level although we are improving wherever possible.

The environmentally friendly life of the product is 10 years when used in accordance with this manual.

Dispose of and recycle this product in accordance with local regulations.

This equipment is a Class-A product and may produce radio interference in the environment.

The content in this document is for reference only. Content is subject to change without notice.
For most updated information, please visit DTEN.com