

## SOLOS V2 Premium Standing Desk

SKU:SD-ET147

### Product Information:

- Max Loading Capacity: 120kg/265lbs
- Height Adjustments: 27.2"-46.5"/690-1180mm
- Height Range: 19.3"/490mm
- Horizontal Frame Range: 43"-75"/1100 - 1900mm
- Desk Top Size: 55"x 27"x1"/1400 x 700 x 25mm
- Desk Top Color: White/Wood/Walnut/Black
- Desk Top Shape: Rectangle/Curve
- Stand Color: White/Black
- Stand Stages: 2-stage
- Stand Outer Tube: 2.8"x 2.8"x 0.06"/70 x 70 x 1.5mm(thickness)
- Stand Inner Tube:2.6"x 2.6"x 0.06"/65 x 65 x 1.5mm(thickness)
- Integrated Wire Grommets: 2
- Stand Material: Steel
- Warranty: 5 Years

### Motors :

- Lift Speed: 1.30"/s (33mm/s)
- Noise Level: Under 50 dBs
- Motors Quantity: 2 PCS
- Working Temperature: 0~40 °C
- Stand-by Power Consumption: Under 0.5W

### Shipping Information :

Weight/Size	Medium Desk Top	Desk Stand	Total
Product Weight	36.9lbs/16.7kg	63.1lbs/28.6kg	100.0lbs/45.3kg
Shipping Weight	39.1lbs/17.7kg	70.8lbs/32.1kg	109.9lbs/49.8kg
Package Size	56.2"x28.4"x1.9" 1428x722x47mm	45.1"x 8.1"x 9.8" 1145x205x250mm	

### Other Features :

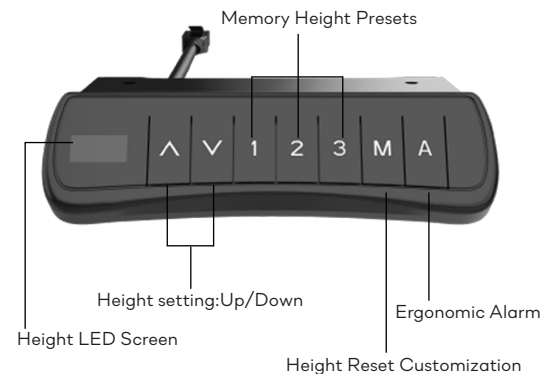
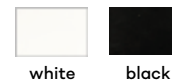
- Sit-Stand Reminder: 1~99 minutes
- Anti-Collision Protection
- Height Memory Setting: 3 levels
- Certificates: CE Erp RoHS FCC UL CUL RCM KC PSE



### Desk



### Stand



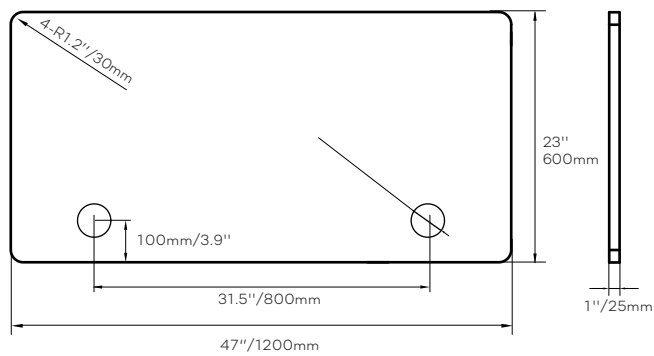
### Controller

## SOLOS V2 Premium Standing Desk

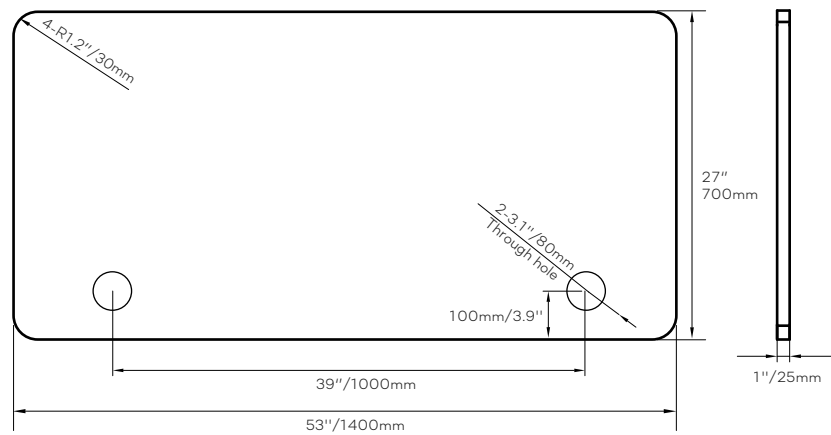
SKU: SD-ET147

### Product Diagram

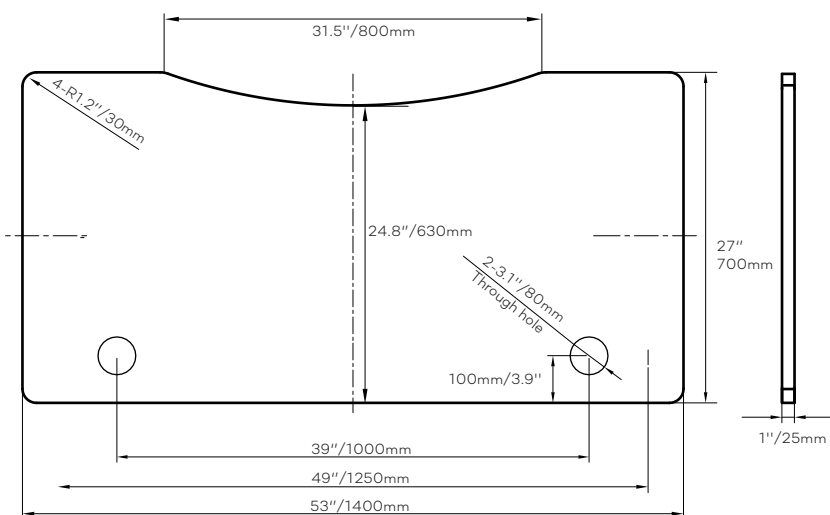
#### Table Board



**Small Rectangular Board**



**Medium Rectangular Board**



**Curved Board**

## SOLOS V2 Premium Standing Desk

SKU: SD-ET147

### Product Diagram

#### Desk Stand

